



**Aabo Akustik**

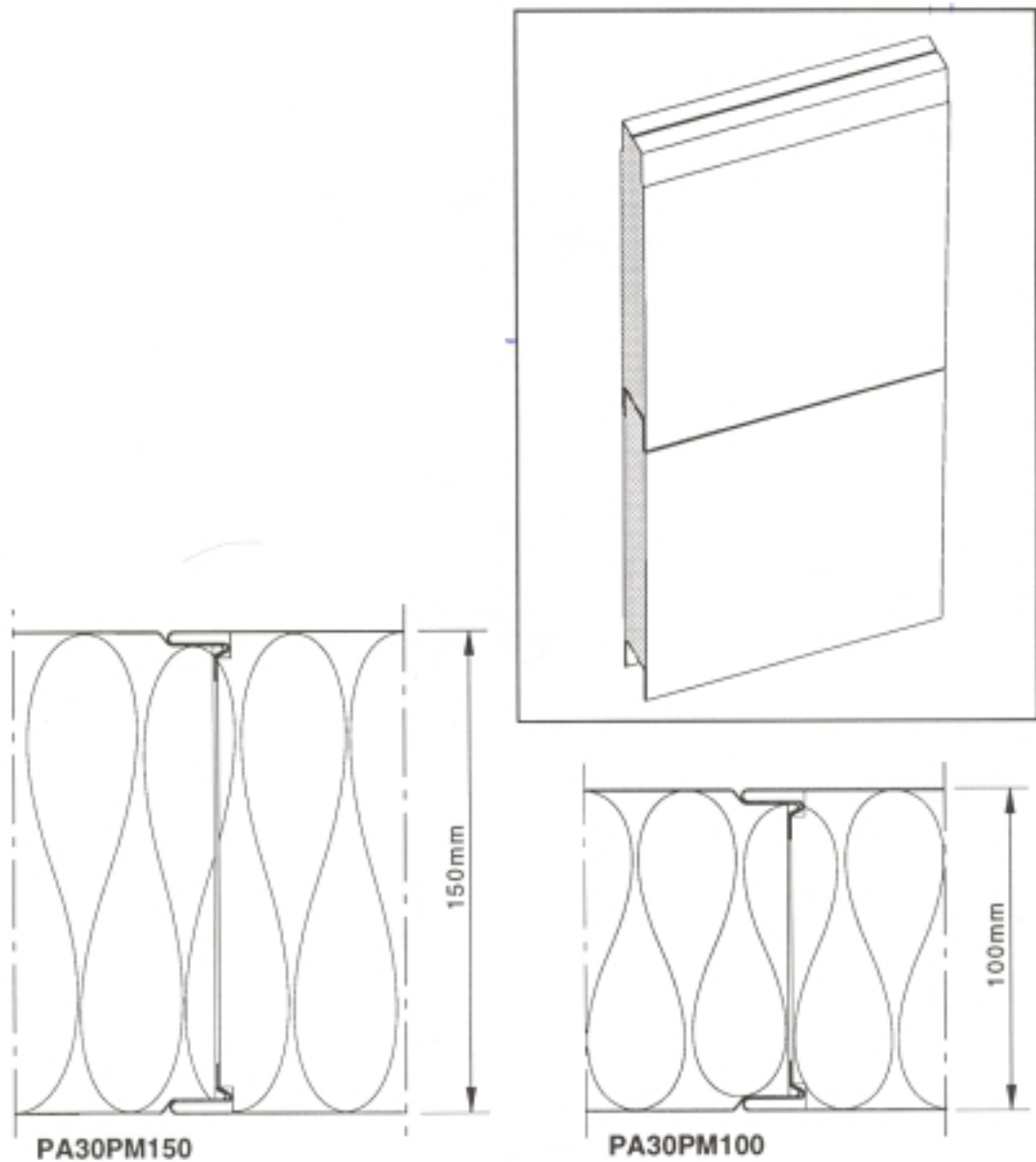
**OUTDOOR WALL**

**AABO AKUSTIK FLEXIBLE  
WALL SYSTEM**





Isolamin Flexible Exterior Wall System.

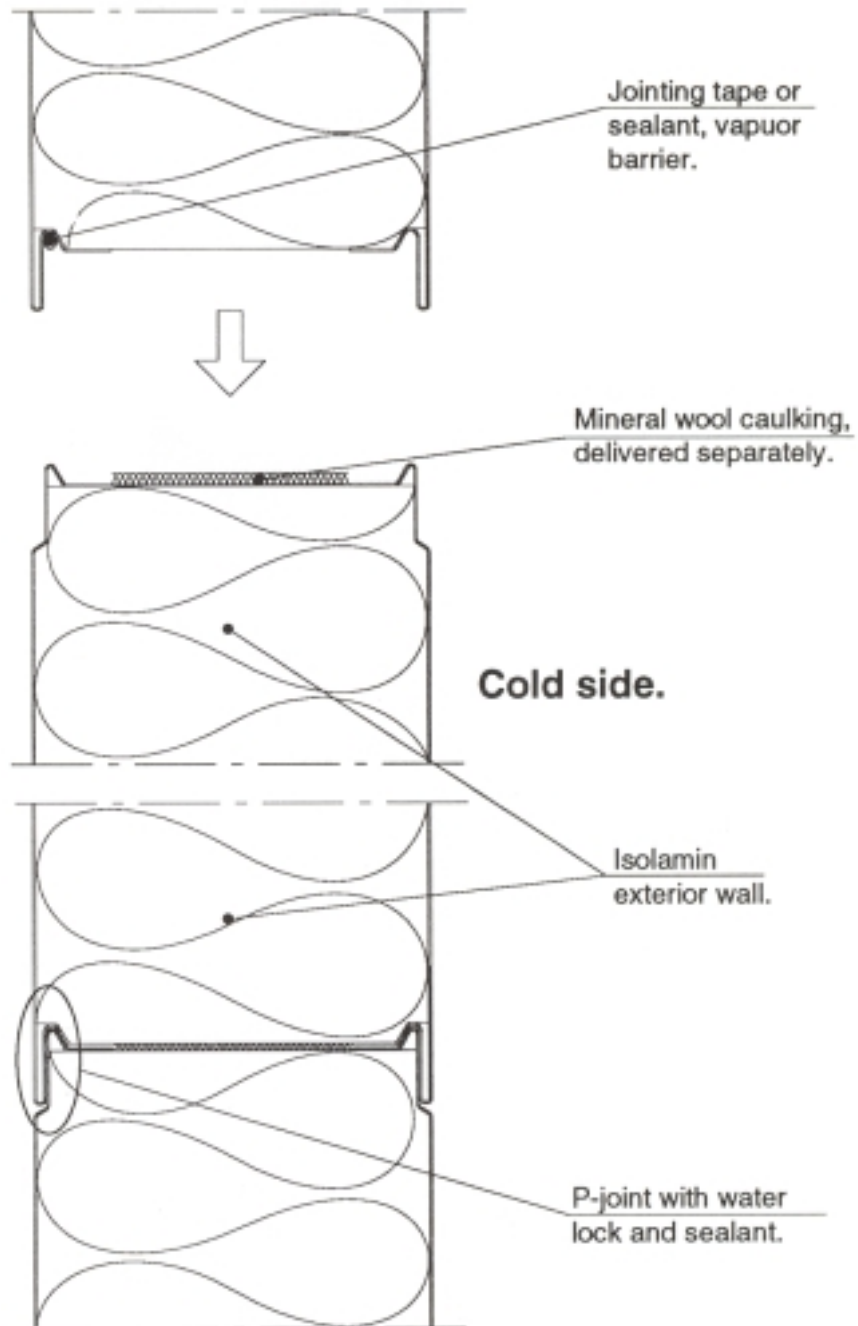


PANEL	PA30PM100	PA30PM150	
Thickness :	100 mm	150 mm	
Weight :	19,3 kg/sq.m	23,5 kg/sq.m	
Surface finish/ Modular width :	Painted / 1180 mm	Painted / 1180 mm	
Fire class :	Incombustible	A 60 *	
Sound reduction :	28 la lab	-	
Coefficient of Thermal conductance	0,40 W/sq.m C	0,28 W/sq.m C	

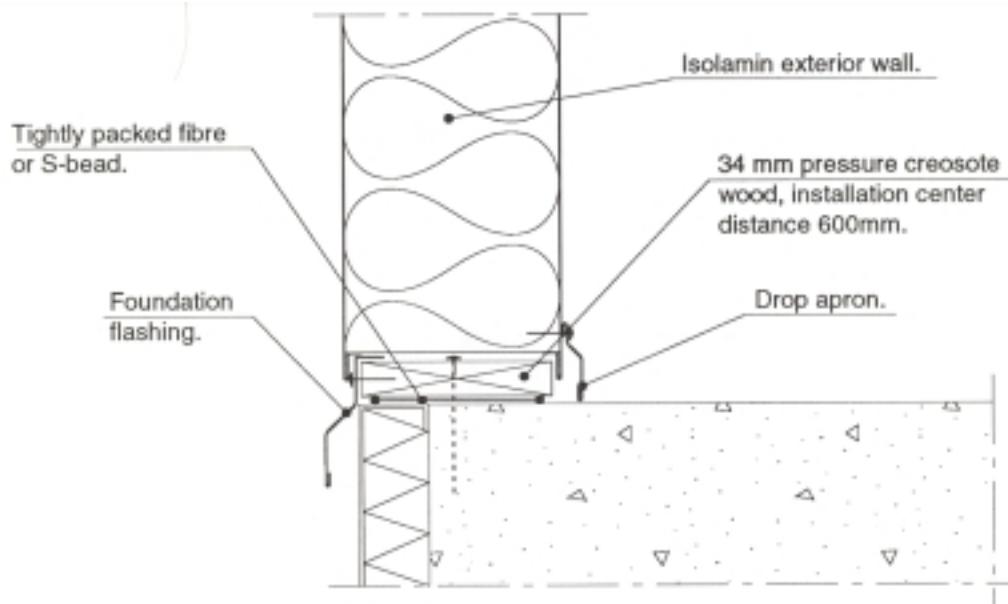
\* Typgodkännande bevis Nr: 3953/92

TOLERANCES	CORE MATERIAL	SURFACE MATERIAL
Length : ± 5 mm	Material : Mineral wool	Material : Hot dipped galvanised steel sheet
Width : ± 1 mm	Density : 85 kg/cu.m ± 10%	Surface finish/: Galv / 0,5 mm
Thickness : + 0 / - 1 mm		Thickness : Painted / 0,6 mm

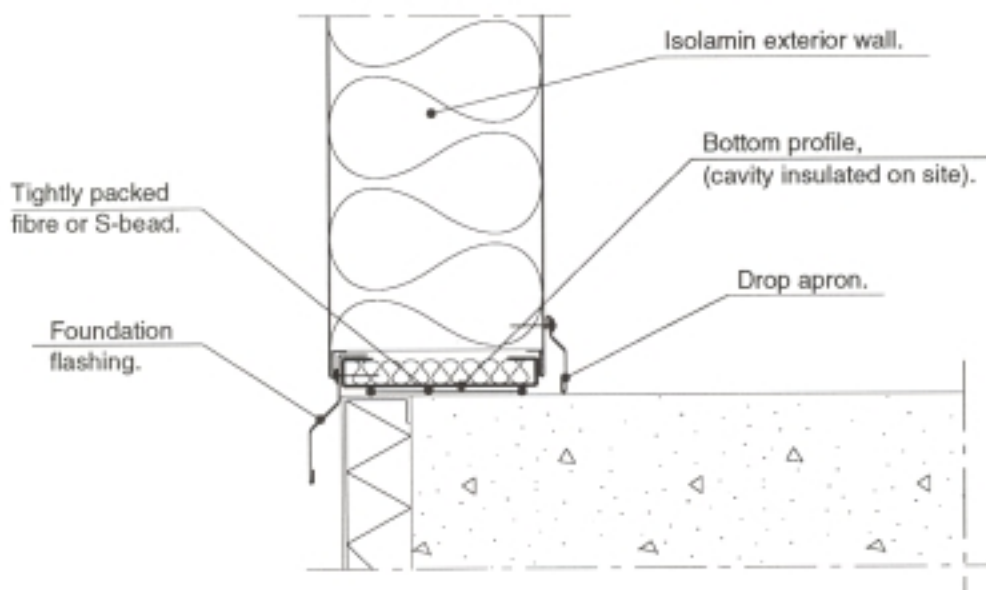
Horizontal wall joint.



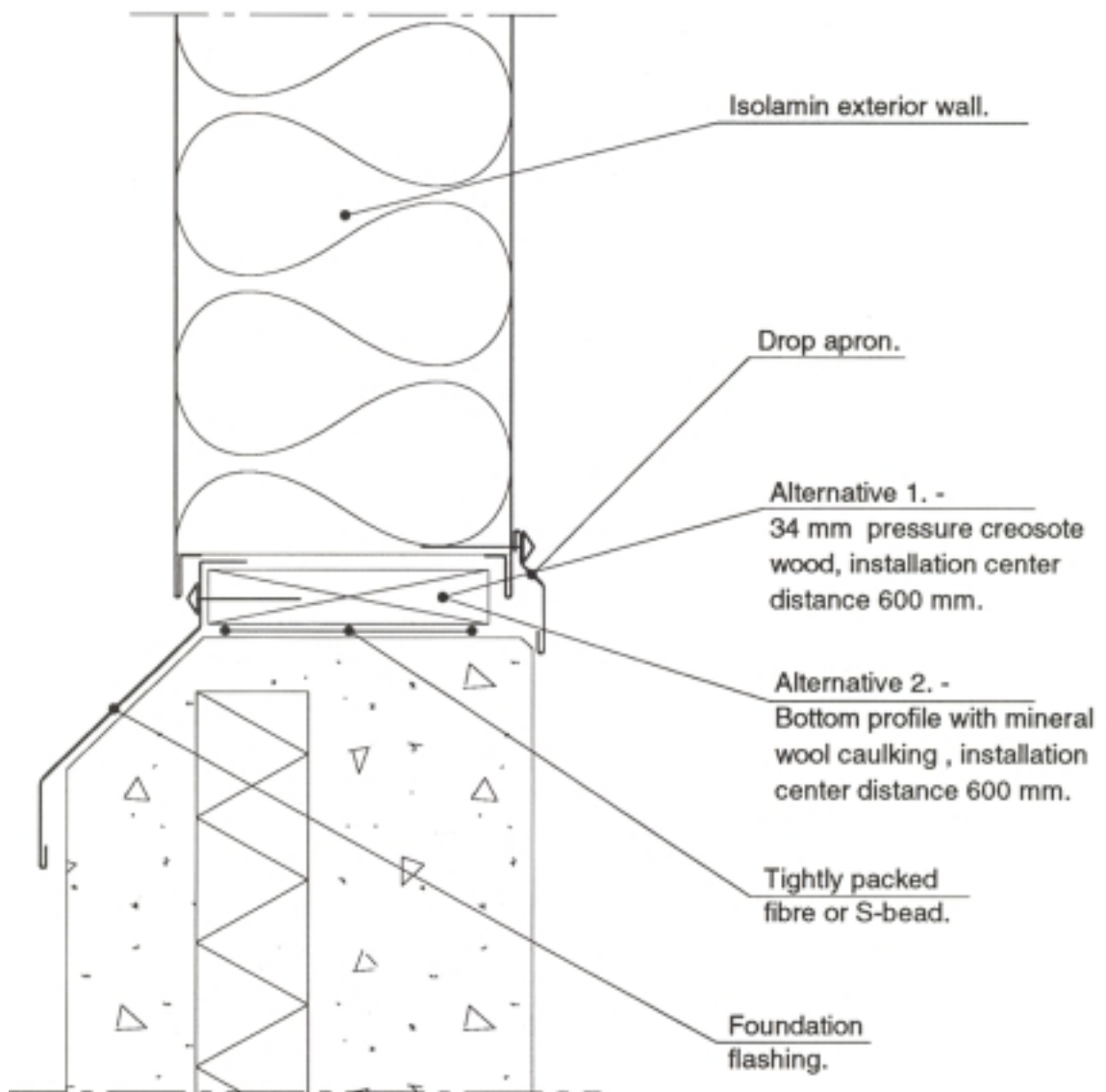
**Low foundation, alternative 1.**



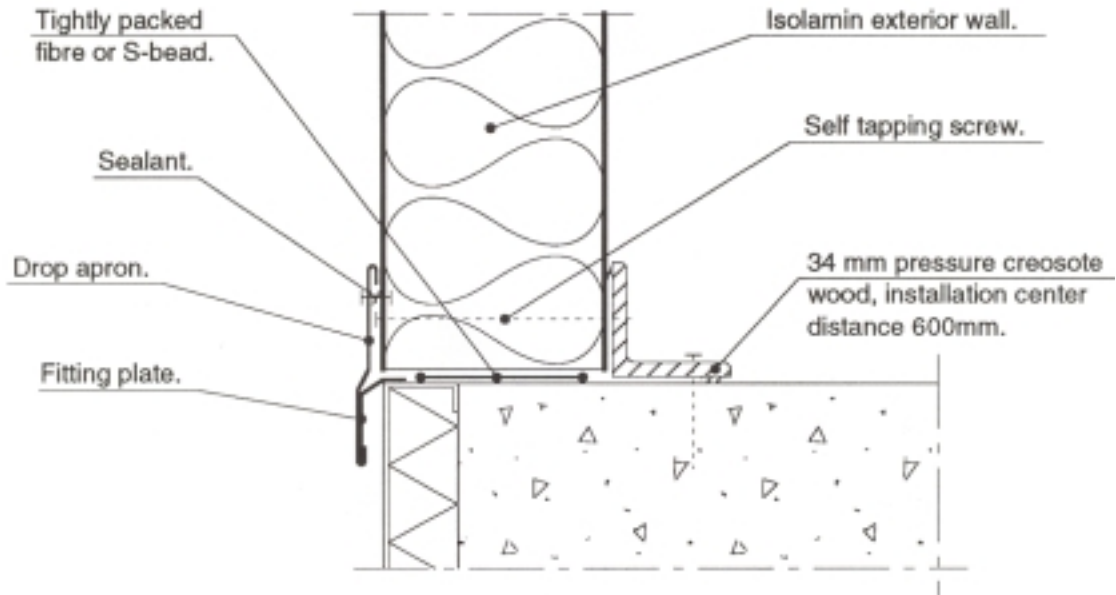
**Low foundation, alternative 2.**



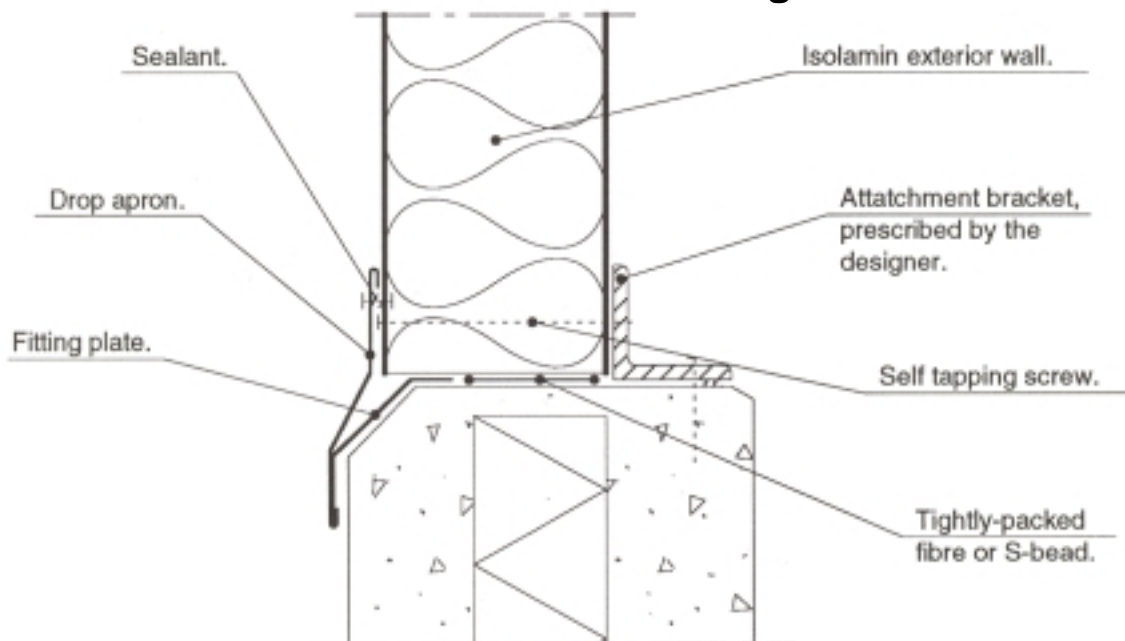
**High foundation.**



**Vertical installation,  
low foundation.**



**Vertical installation,  
high foundation.**





Isolamin Flexible Exterior Wall System.

